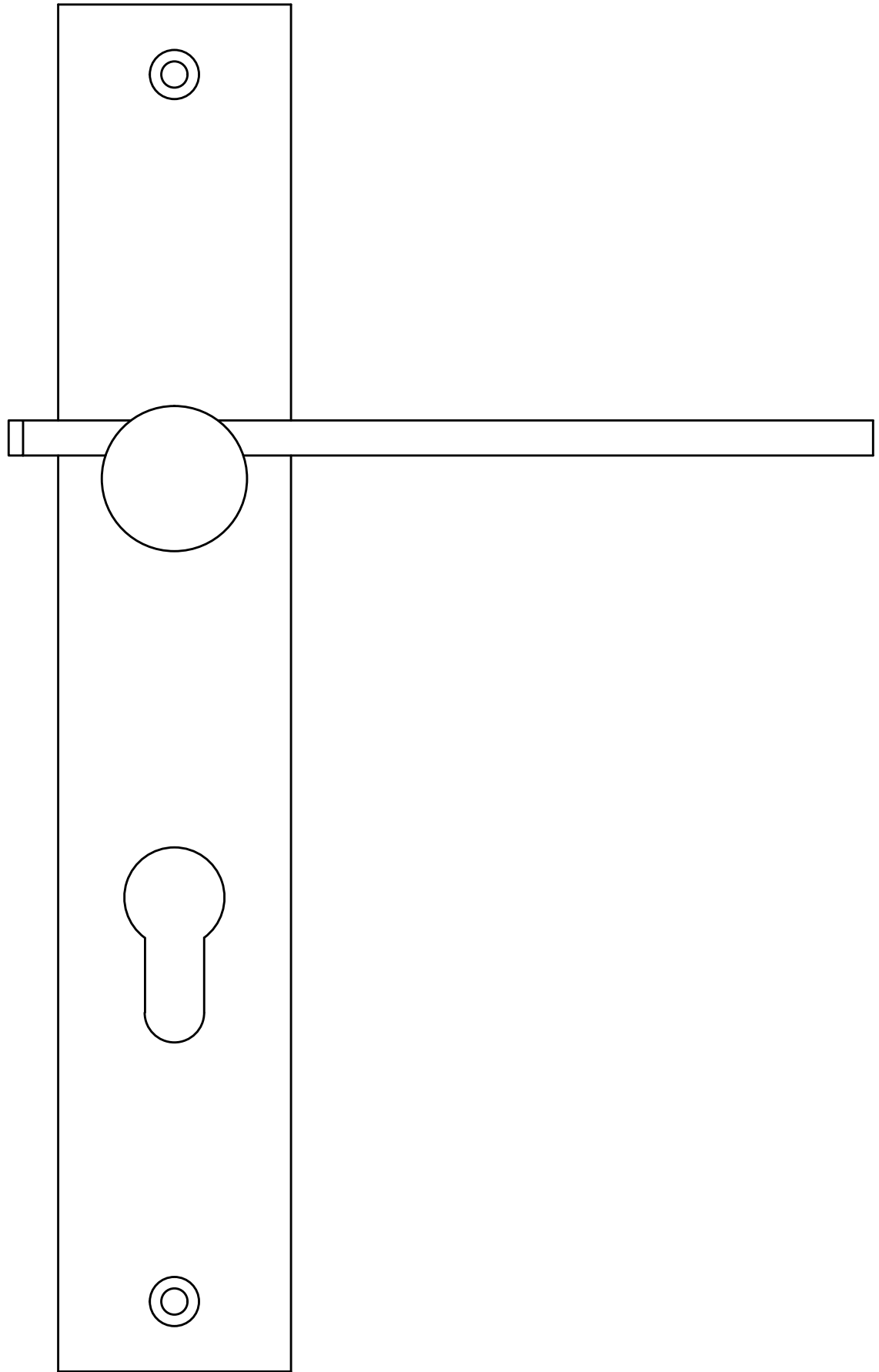


3

235

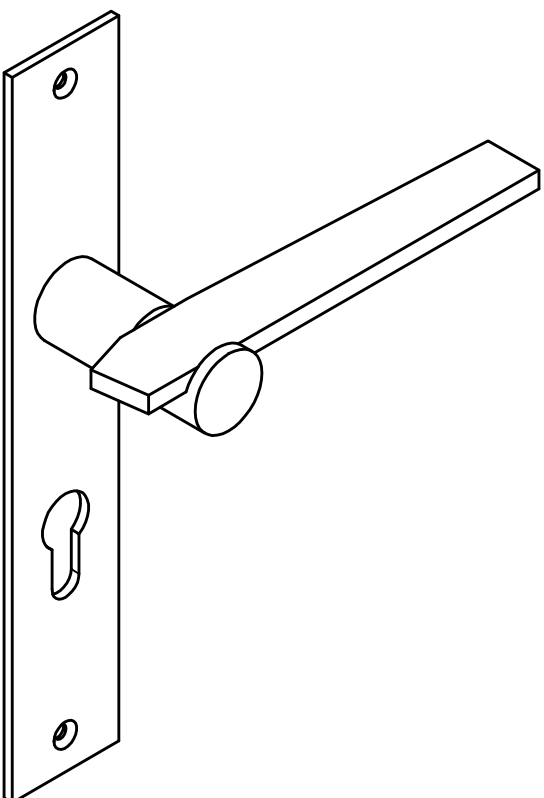
81,5



40

3

64



24

19

140

148,5

<h1>FORMANI®</h1>		Part number:	
		Description:	
Doc no.:	3301D001 TENSE BB100P236Y V01.dwg	<h2>TENSE BB100P236Y</h2>	Format:
Drawn by:	Christian Brimbois		Creation date:
FORMANI HOLLAND B.V. EUROPALAAN 12 6199 AB MAASTRICHT-AIRPORT NL T +31 (0)43 308 90 00 INFO@FORMANI.COM FORMANI.COM		<h3>A3</h3>	