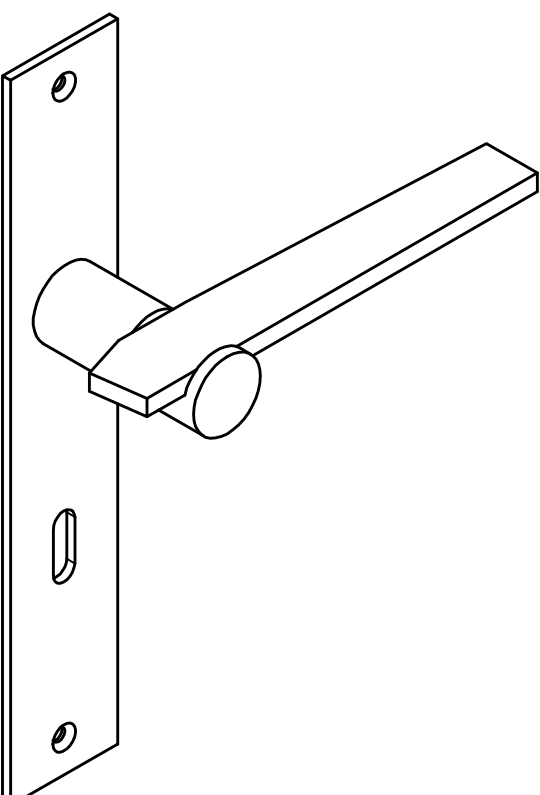
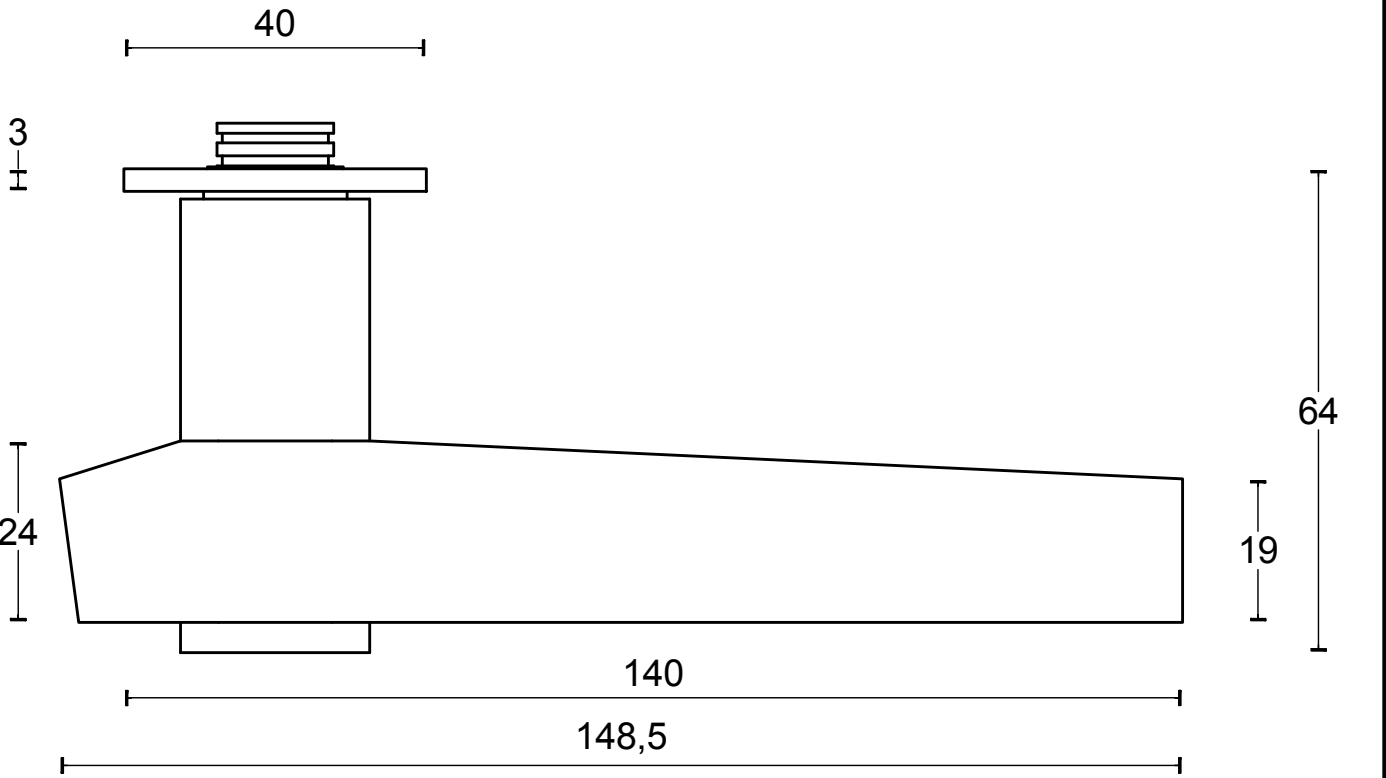


13



FORMANI®		Part number:	
Doc no.:	3301D001 TENSE BB100P236N V01.dwg	TENSE BB100P236N	Format:
Drawn by:	Christian Brimbois		A3
Creation date:	28-4-2016	FORMANI HOLLAND B.V. EUROPALAAN 12 6199 AB MAASTRICHT-AIRPORT NL T +31 (0)43 308 90 00 INFO@FORMANI.COM FORMANI.COM	