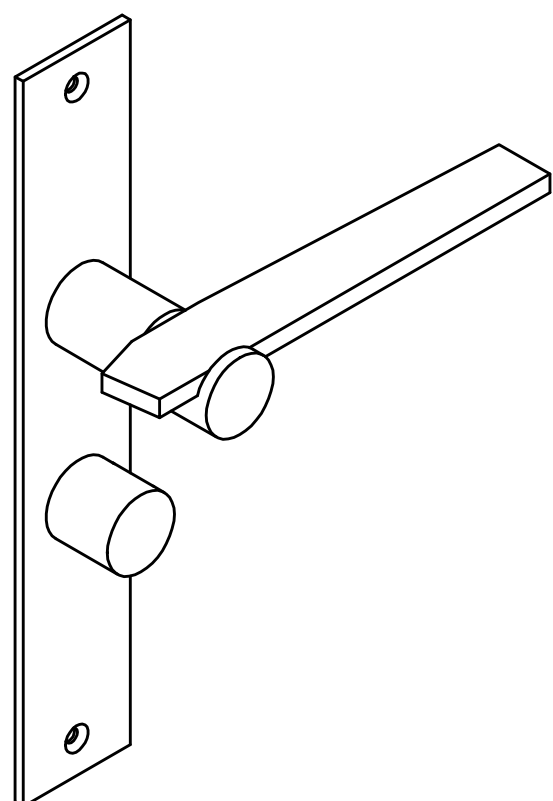
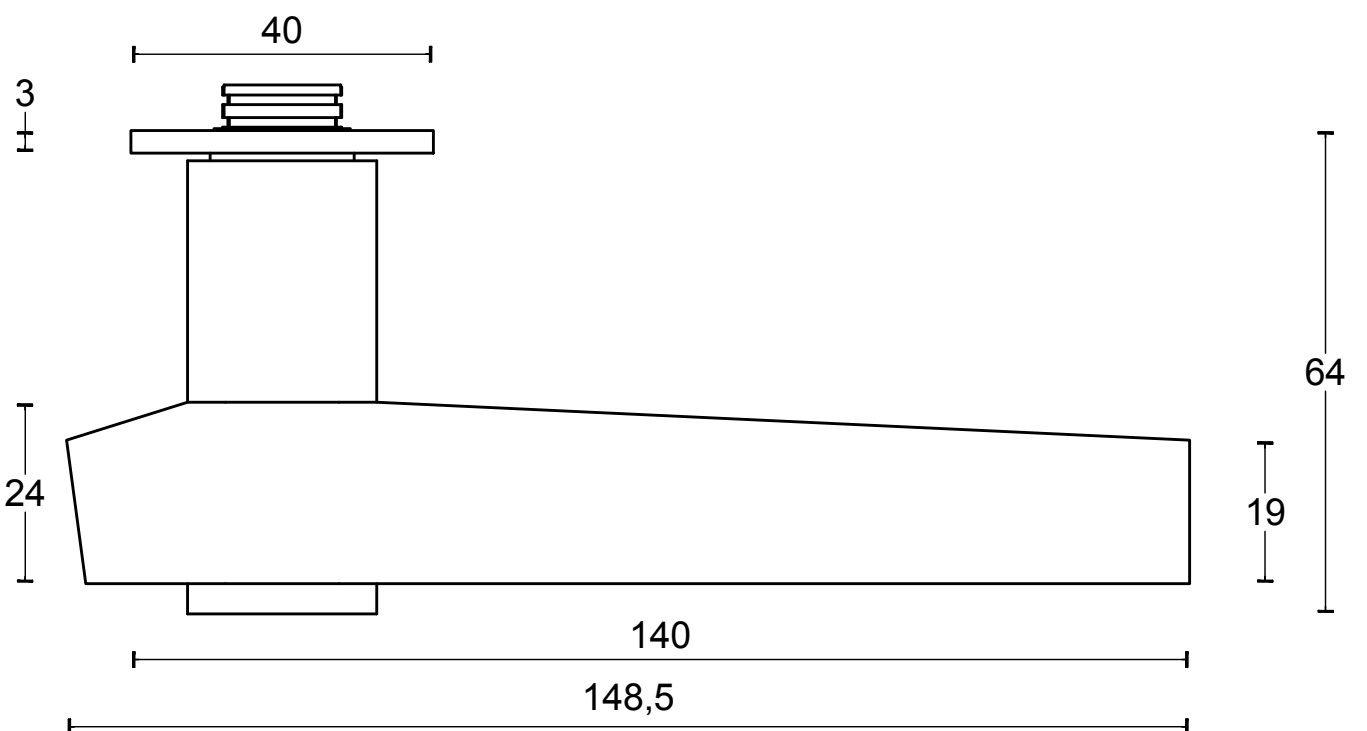


I3



FORMANI®		Part number:	
Doc no.:	3301D001 TENSE BB100P236WC V01.dwg	TENSE BB100P236WC	Format:
Drawn by:	Christian Brimbois		A3
	Creation date:	28-4-2016	
FORMANI HOLLAND B.V. EUROPALAAN 12 6199 AB MAASTRICHT-AIRPORT NL T +31 (0)43 308 90 00 INFO@FORMANI.COM FORMANI.COM			