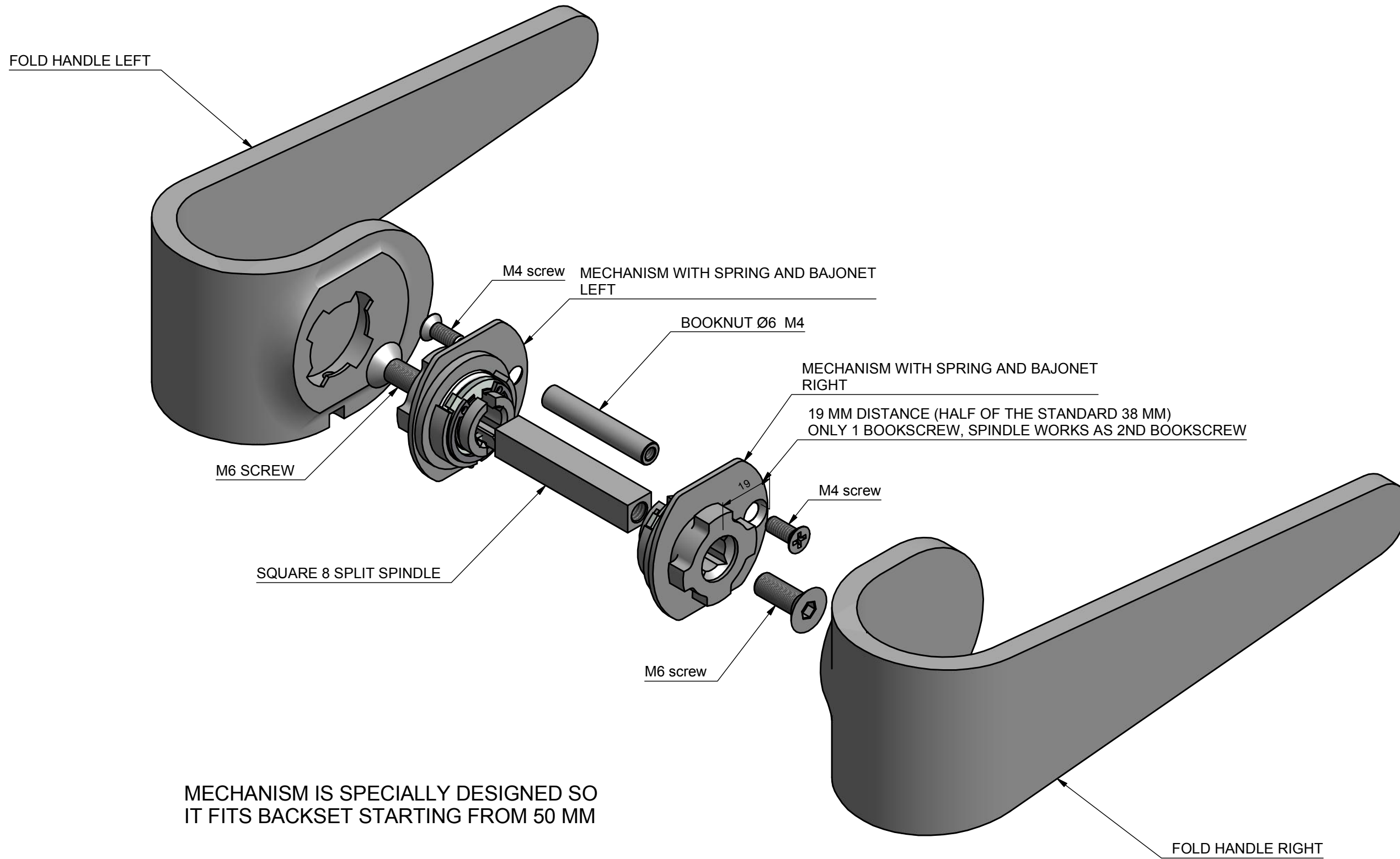


TB100 detailed view



FORMANI®		Part number:	
		Description:	
Doc no.:	2901D001 TB100 DETAILED VIEW V02.dwg	Format:	
Drawn by:	Christian	Creation date:	31-1-2013
		TB100 detailed view	
		A3	
Formani Holland B.V. · Amerikalaan 55 · 6199 AE Maastricht Airport · tel: +31 (0)43 308 90 00 · www.formani.nl · info@formani.nl			