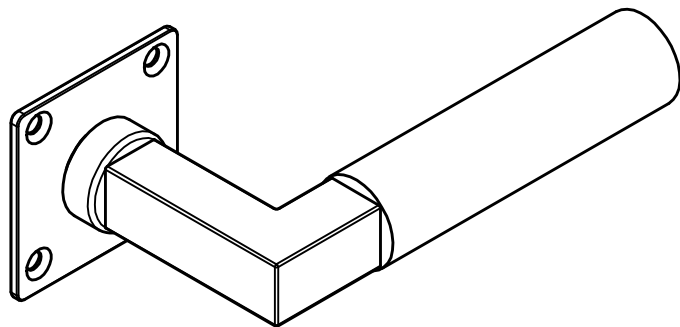
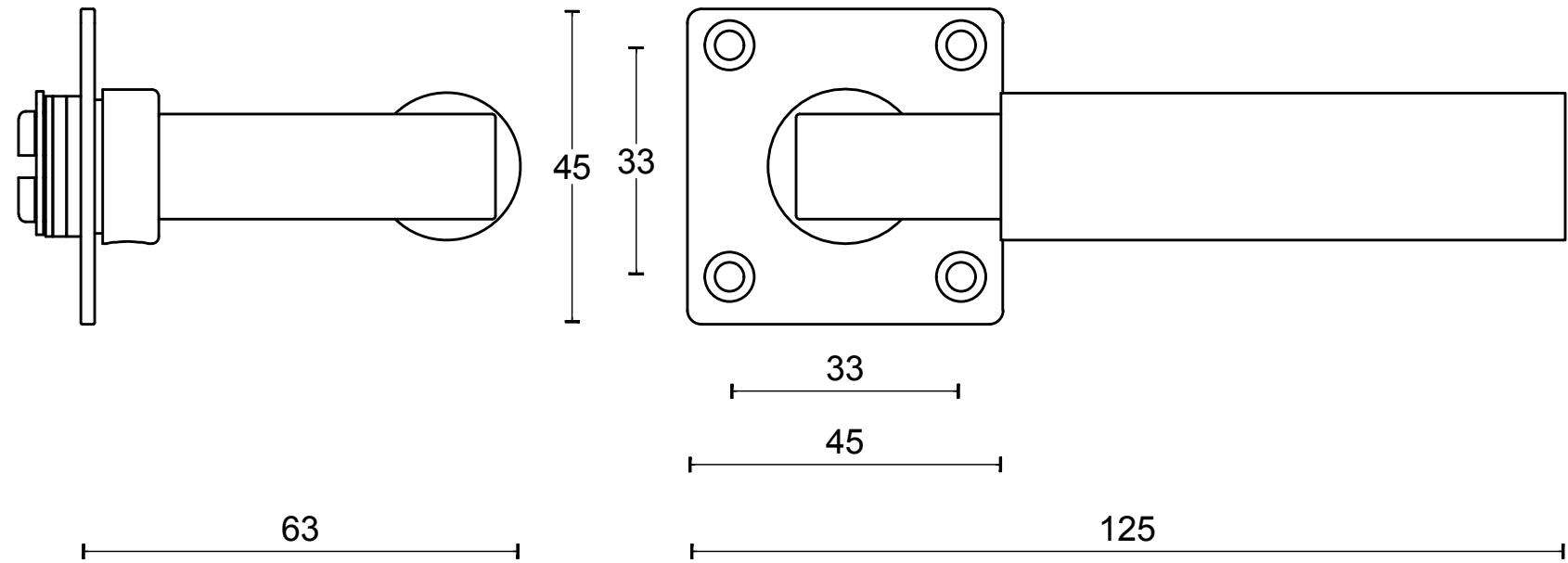
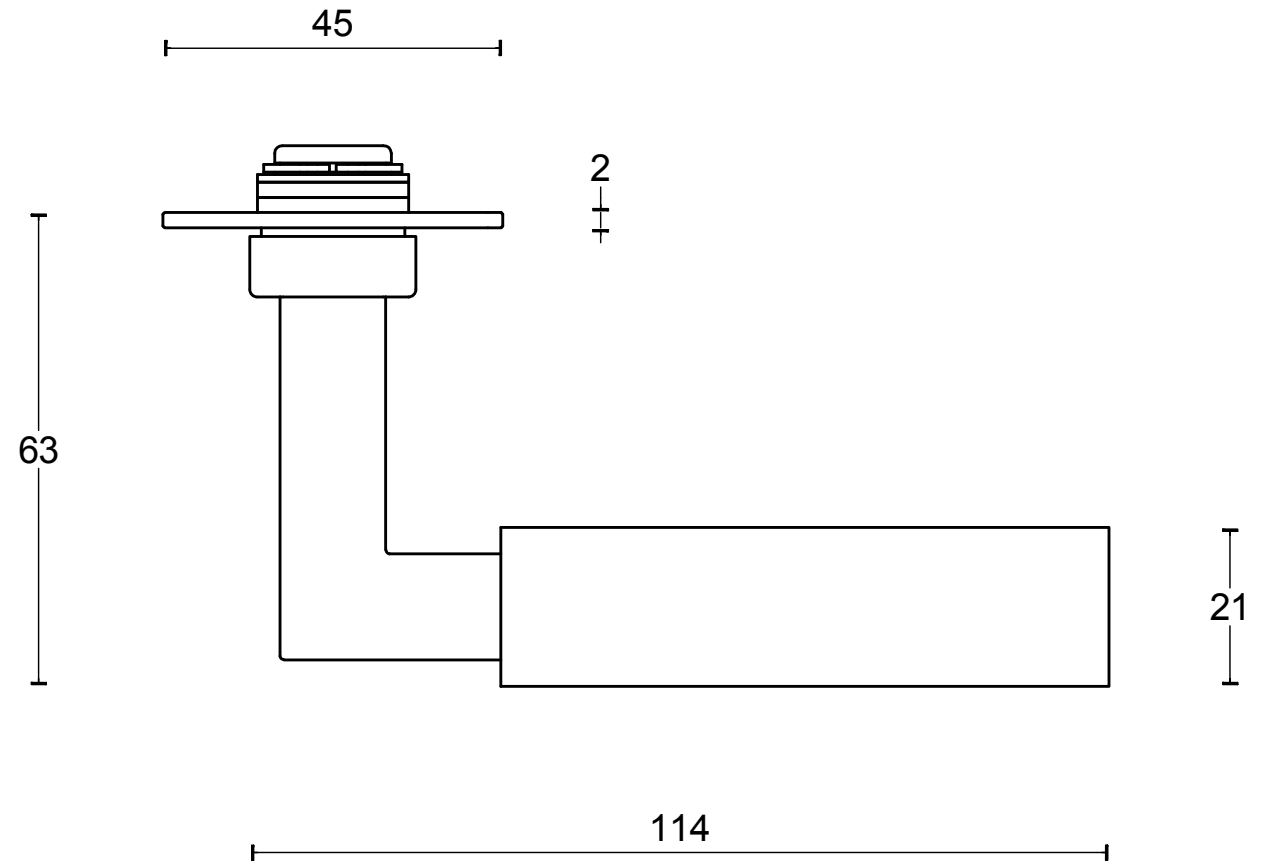
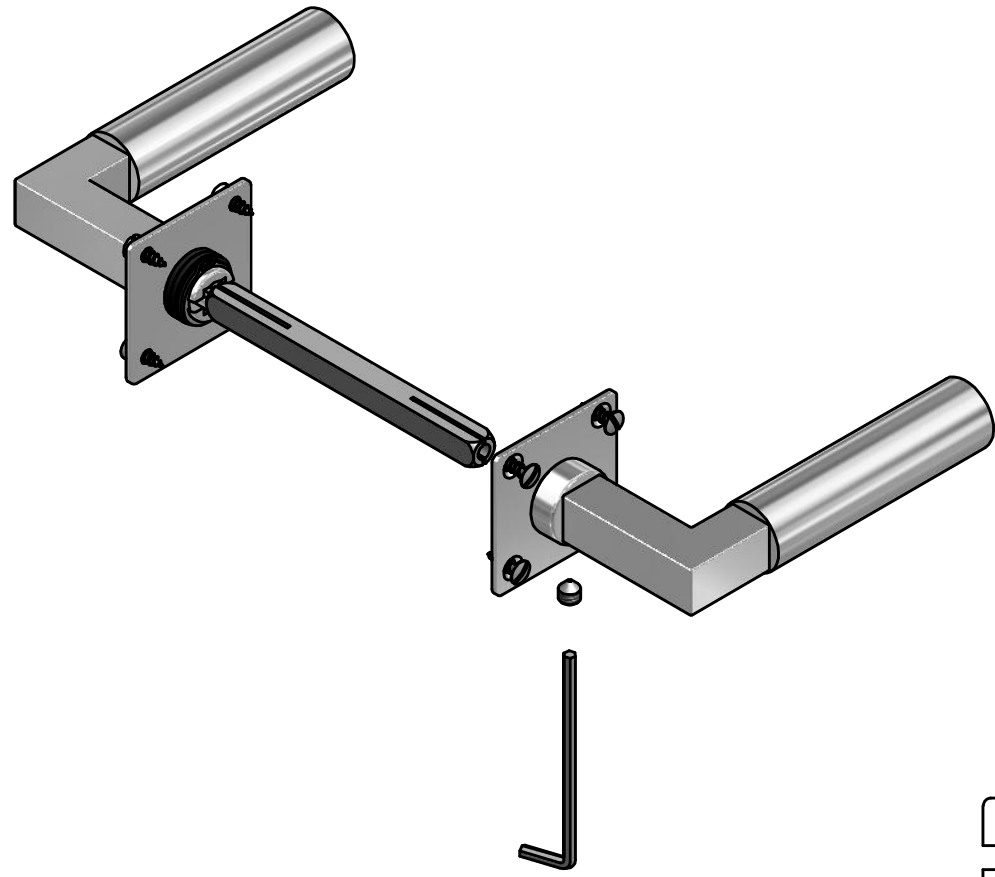


1930MRV45

solid unsprung lever handle
on rose



<h1>FORMANI®</h1>		Part number:	
		<h2>1930MRV45</h2>	
Doc no.: 0301D006 1930MRV45 V02.dwg		<h2>1930MRV45</h2>	Format:
Drawn by: Christian Brimbois	Creation date: 17-12-2014		<h2>A3</h2>
FORMANI HOLLAND B.V. EUROPALAAN 12 6199 AB MAASTRICHT-AIRPORT NL T +31 (0)43 308 90 00 INFO@FORMANI.COM FORMANI.COM			