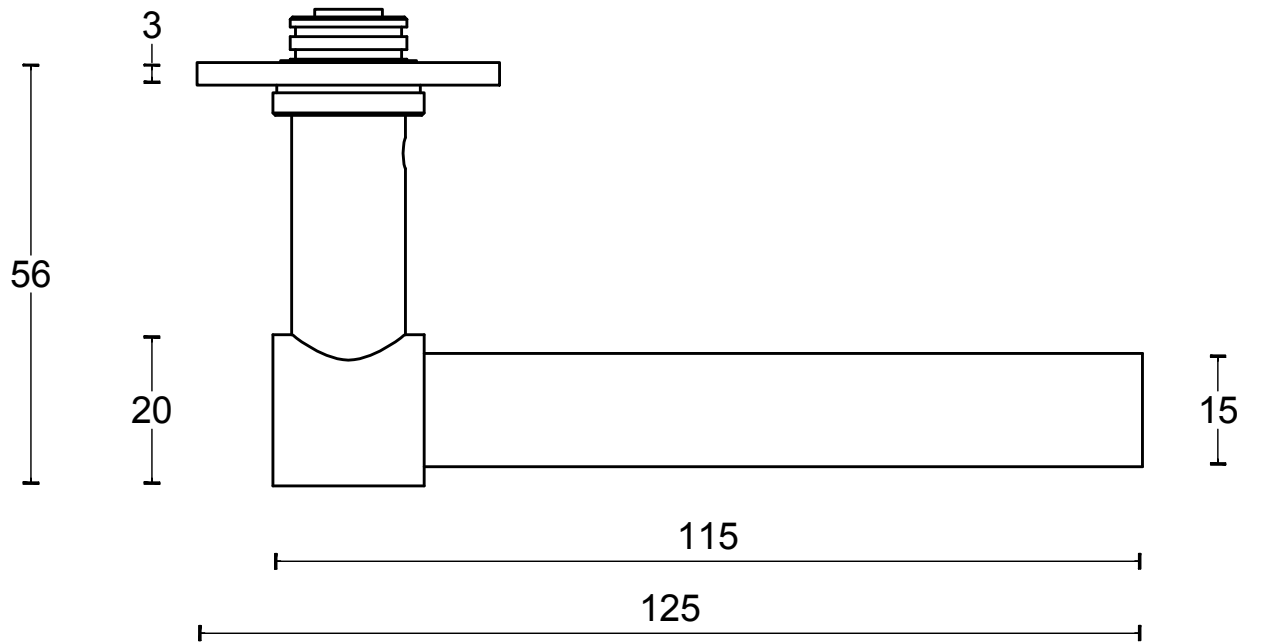
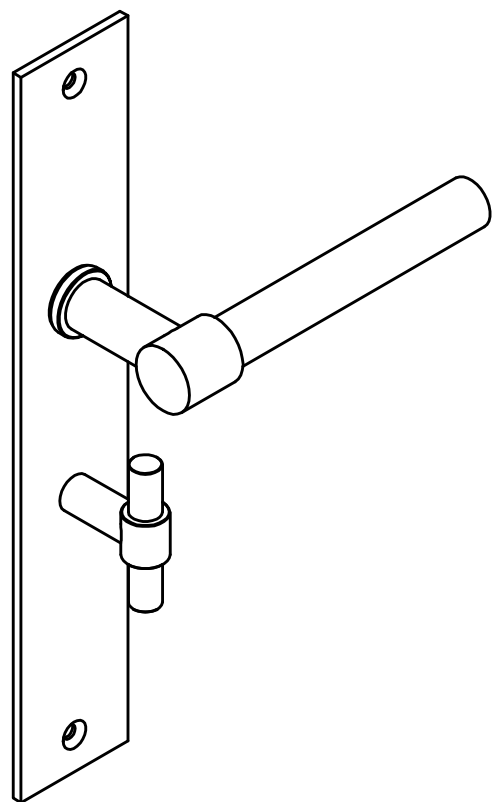


81,5

*



<h1>FORMANI®</h1>		Part number:	
		Description:	
Doc no.:	2701D012 PBL15XLP236WC V01.dwg	<h2>PBL15XLP236WC</h2>	Format:
Drawn by:	Christian Brimbois		Creation date:
FORMANI HOLLAND B.V. EUROPALAAN 12 6199 AB MAASTRICHT-AIRPORT NL T +31 (0)43 308 90 00 INFO@FORMANI.COM FORMANI.COM			

A3