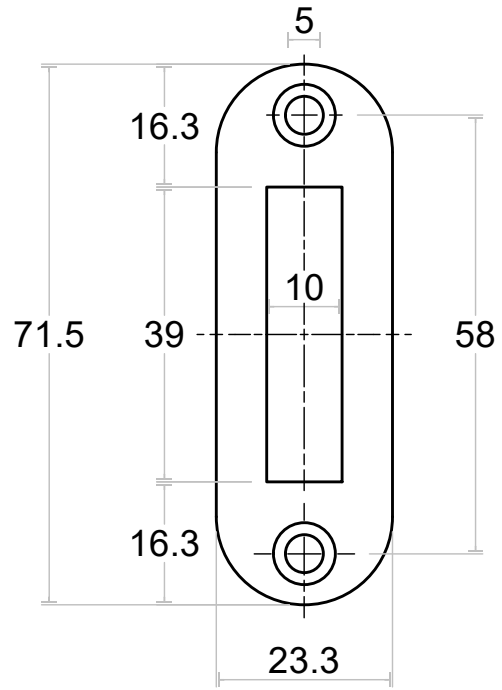
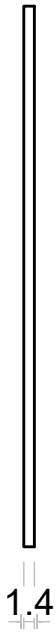
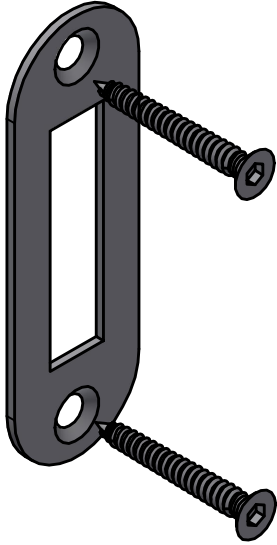


# BASICS LBSPAK



FORMANI®

FORMANI HOLLAND B.V.  
EUROPALAAN 12  
6199 AB MAASTRICHT-AIRPORT NL  
T +31 (0)43 308 90 00  
INFO@FORMANI.COM  
WWW.FORMANI.COM

Type :

**BASICS LBSPAK**

Version:

Formani filename: 1514PK10\_LBSPAK\_V01.dwg

Description:

Format

Drawn by: Semih Aslan

**A4**

Creation date: 9-7-2025