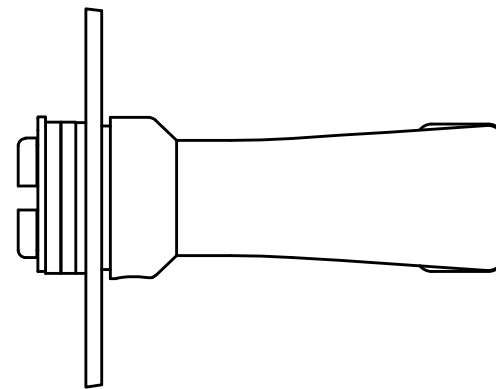
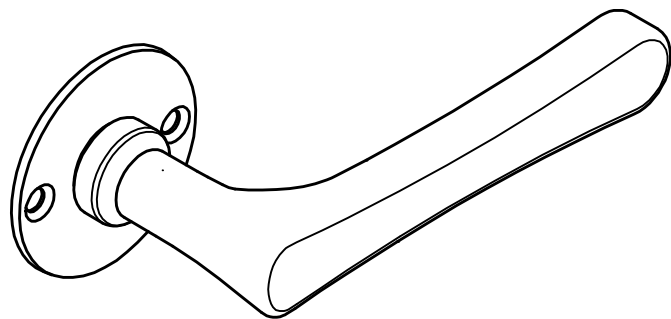
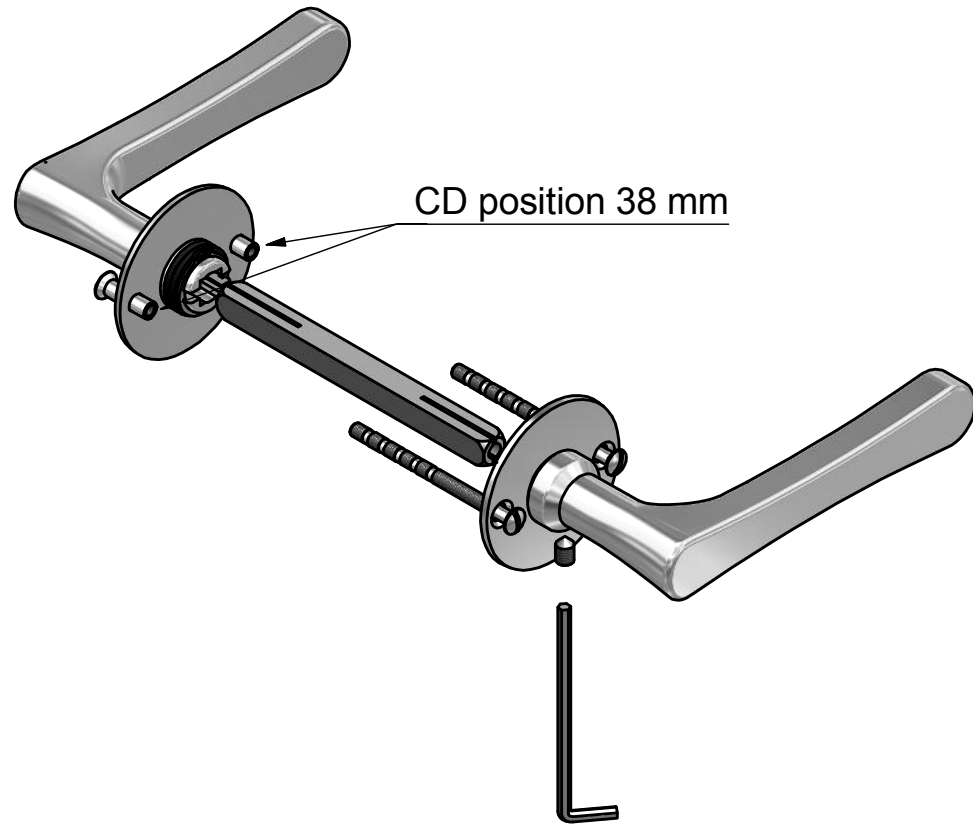
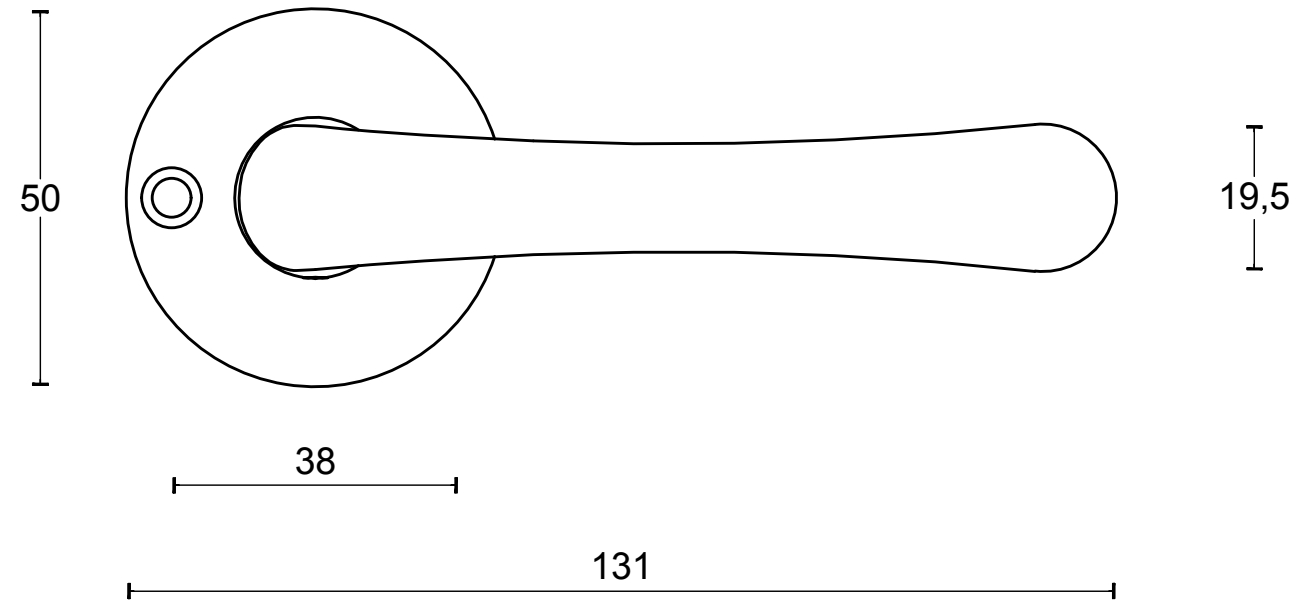
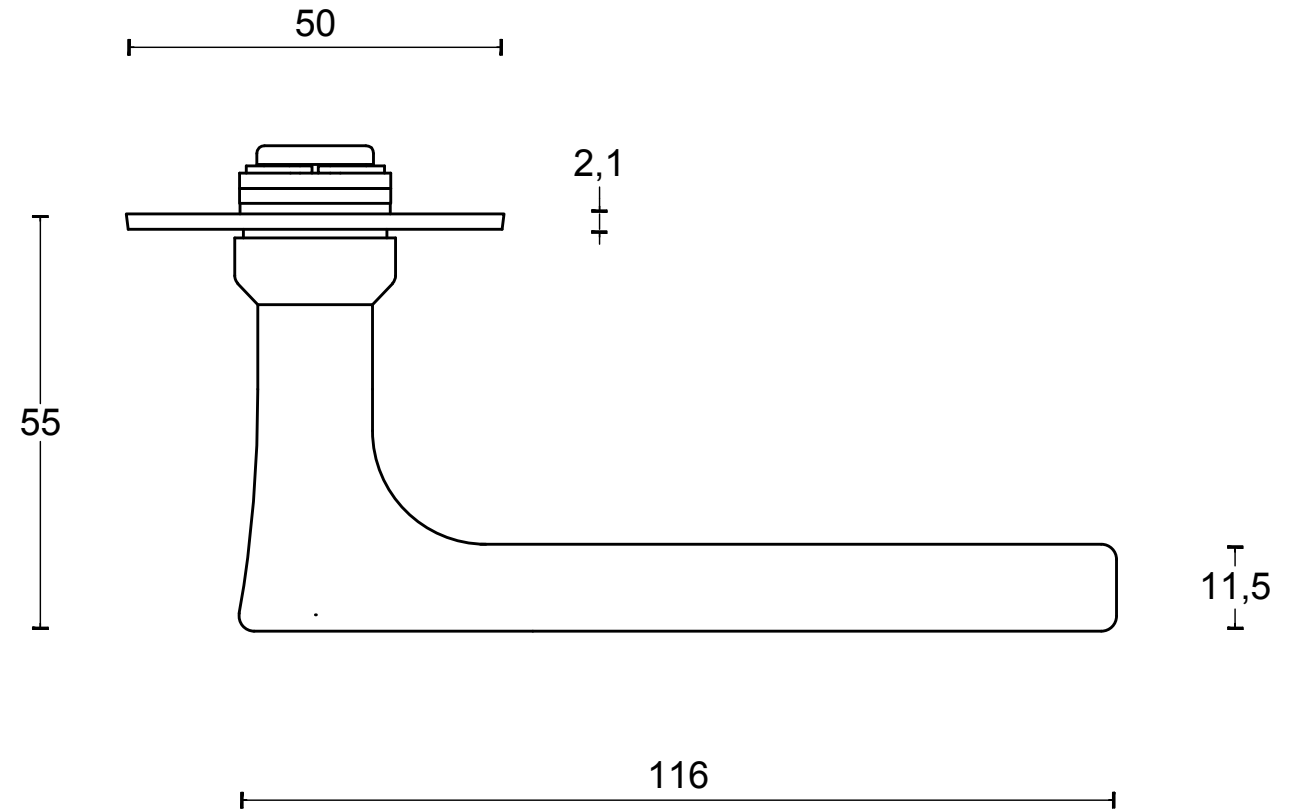


1935MRR50

solid unsprung lever handle
on rose



55



FORMANI®		Part number:	
		Description:	
Doc no.:	0301D016 1935MRR50 V02.dwg	1935MRR50	Format:
Drawn by:	Christian Brimbois		Creation date:
FORMANI HOLLAND B.V. EUROPALAAN 12 6199 AB MAASTRICHT-AIRPORT NL T +31 (0)43 308 90 00 INFO@FORMANI.COM FORMANI.COM		A3	